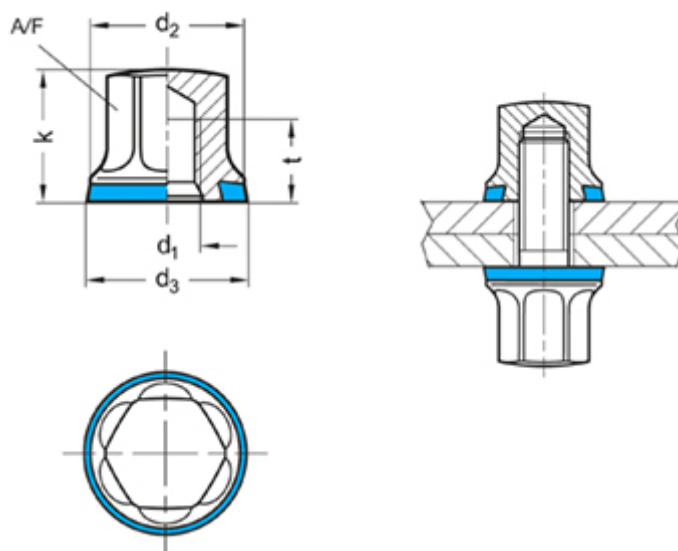


Article number: 201580M10PL

Description: E+G Nut GN 1580-M10-PL-H  
Hygienic design H-NBR

## Measures



|               |        |
|---------------|--------|
| A/F           | = 16   |
| d1            | = M10  |
| d2            | = 21   |
| d3            | = 21.8 |
| k             | = 18   |
| t min         | = 12   |
| Weight in (g) | = 15   |